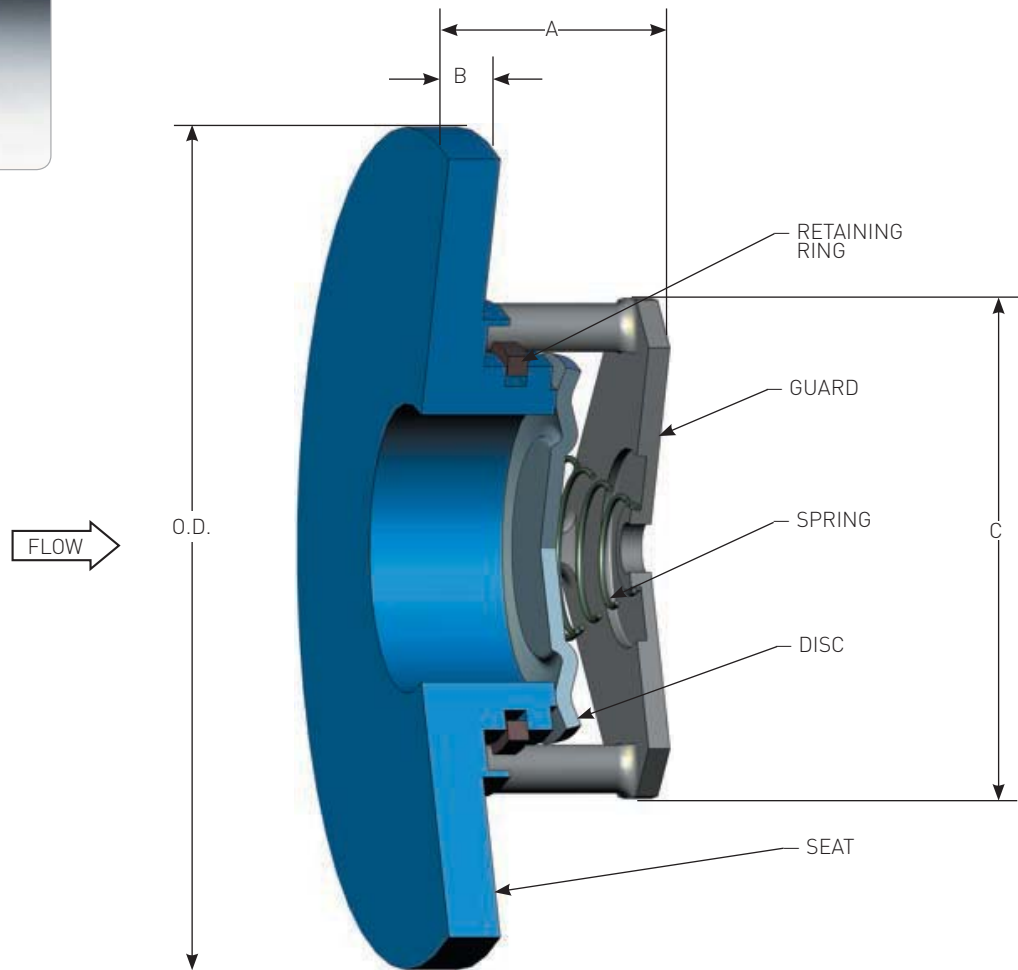


The **FBC™** is a compact, lightweight, insert wafer check valve that easily installs between two flanges. The non-slam, spring-assisted design prevents “water hammer” and “reverse flow”. The FBC™ contains all of the proven features of the Basic-Check® valve developed originally by DFT® and still in use after 60 years. Like the Basic-Check®, the metal-to-metal sealing area of the disc and seat is precision lapped, providing tight shutoff for applications involving liquids, gases or steam. Resilient soft seats are available for applications requiring bubble-tight shutoff.



FEATURES:

- Spring-assisted silent closing
- Horizontal or vertical installations
- Sizes 1" through 4"
- ASME/ANSI Class 150 and 300
- Stainless steel seat, disc, guard, retaining ring & spring
- Cracking pressure: 0.6 to 0.15 psi (See chart)
- Temperatures to 450°F for standard valves
- Extended tag for easy identification of the installed valve
- Use in Schedule 40 pipe, consult factory for Schedule 80
- Meets ASME B16.34-2004 & MSS SP-126
- Flange finish per MSS SP-6
- Seat leakage per MSS SP-61
- Options:
 - Soft seat
 - Inconel® X-750 spring



Consult pages 40 and 41 for Pressure/Temperature ratings and soft seat materials.

MATERIALS OF CONSTRUCTION

COMPONENT		
Seat		A479 316
Disc	1" to 3"	316 SS
	4"	17-7 SS
Guard		316 SS
Spring		316 SS
Retaining Ring		316 SS

PRESSURE TEMPERATURE RATING — 316 SS (PSIG) (1)

Temp. (F°)	ASME/ANSI CLASS	
	150	300
100	275	720
200	235	620
250 (2)	225	590
300 (3)	215	560
400 (4)	195	515
470	180	495

Class	150/300	150
1"	A	0.87
	B	0.25
	C	1.03
	O.D.	2.00
	Weight	0.2
	Cv	5.8
	CP	0.60
1 1/2"	A	1.10
	B	0.25
	C	1.56
	O.D.	2.88
	Weight	0.6
	Cv	13.2
	CP	0.45
2"	A	1.22
	B	0.25
	C	1.94
	O.D.	3.62
	Weight	0.9
	Cv	23.1
	CP	0.38
2 1/2"	A	1.31
	B	0.25
	C	2.40
	O.D.	4.12
	Weight	1.2
	Cv	36
	CP	0.2
3"	A	1.47
	B	0.31
	C	2.97
	O.D.	5.00
	Weight	2.2
	Cv	57.4
	CP	0.14
4"	A	2.11
	B	0.38
	C	3.70
	O.D.	6.19
	Weight	5.2
	Cv	90
	CP	0.15

Notes:

1. Pressure/temperature ratings in accordance with ASME/ANSI B16.34-2004
2. Maximum temperature for Buna
3. Maximum temperature for EPDM
4. Maximum temperature for Viton, TFE-encapsulated Viton and Zelon

All dimensions are in inches. Weights are in pounds.